

# nWRG DIGITAL WIDE RANGE VACUUM GAUGE

edwardsvacuum.com

**Edwards nWRG series Digital Wide Range vacuum gauges offer single port pressure measurement in the range atmosphere to  $10^{-9}$  mbar. These are new digital versions of gauges that have proved to be rugged and reliable in a wide range of applications ranging from scientific instruments to industrial processes.**

The nWRG gauges feature compact size for easy installation, a serial output and a replaceable sensor tube. They are also CSA and C/US approved as well as fully RoHS compliant due to their lead-free construction.

## Features and benefits

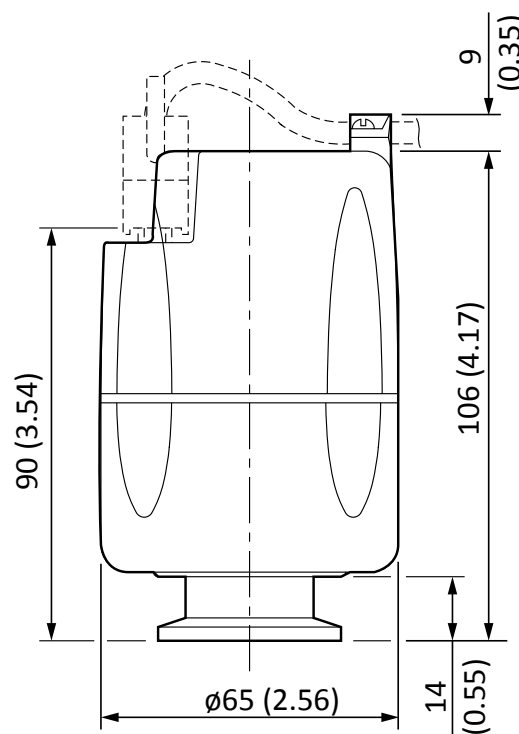
- Wide-range supply voltage allows operation from 15 to 48 V DC
- Gauge naming allows user to store gauge identification data
- Automatic vacuum setting of Pirani gauge element
- Unique striker design ensures rapid striking even at high vacuum or in contaminating conditions
- Low external magnetic field version (L) for sensitive analytical instruments available upon request
- Serial communications based on a simple ASCII, low latency, query and command protocol that can operated in a point to point or multidrop system with minimum overhead
- Adjustable open collector set-point output for straightforward process control and interlocking
- NW25 flange for easy connection to vacuum systems – other flange options on request
- CSA and C/US approved, meets the safety requirements for electrical equipment for measurement
- RS485 or RS232 versions
- 9600 to 38400 baud, 8bits, 1 start bit, 1 stop bit, no parity



nWRG DIGITAL WIDE RANGE  
VACUUM GAUGE

## Technical Data

Mass	
NW25 version	0.8 kg
Internal volume	26 cm <sup>3</sup>
Enclosure rating	IP40
Performance	
Measurement range	Atmosphere to 10 <sup>-9</sup> mbar
Accuracy Typically	±15% <100 mbar ±30% <10 <sup>-3</sup> mbar
Maximum over-pressure	6 bar absolute
Operating and Storage Conditions	
Temperature range	
Operating	5 to 60 °C
Storage	0 to 70 °C
Bake-out with electronics removed	150 °C
Humidity	80% RH up to 31 °C decreasing linearly to 50% RH at 40 °C and above
Maximum altitude	3000 m
Electrical Data	
Electrical supply voltage	15 to 48 V DC nominal
Power consumption	2 W
Set-point	open collector transistor
Rating	48 V DC 100 mA



Dimensions mm (inch)

## Order Information

nWRG Digital Wide Range Gauge	Order number
nWRG RS485 NW25	D14790010
nWRG RS232 NW25	D14790510
Other flange sizes and low field version (L) available upon request	

Accessories and Spares	Order number
Replacement body tube assembly NW25 flange	D14701801
1m cable	D02610001
3m cable	D02610003
5m cable	D02610005

## GLOBAL CONTACTS

Publication Number: 3601 0326 01

© Edwards Limited 2016. All rights reserved Edwards and the Edwards logo are trademarks of Edwards Limited

Whilst we make every effort to ensure that we accurately describe our products and services, we give no guarantee as to the accuracy or completeness of any information provided in this datasheet.

Edwards Ltd, registered in England and Wales  
No. 6124750, registered office: Innovation Drive,  
Burgess Hill, West Sussex, RH15 9TW, UK.

### EMEA

**UK** +44 1444 253 000  
(local rate) 08459 212223

**Belgium** +32 2 300 0730

**France** +33 1 4121 1256

**Germany** 0800 000 1456

**Italy** + 39 02 48 4471

**Israel** + 972 8 681 0633

### ASIA PACIFIC

**China** +86 400 111 9618

**India** +91 20 4075 2222

**Japan** +81 47 458 8836

**Korea** +82 31 716 7070

**Singapore** +65 6546 8408

**Taiwan** +886 3758 1000

### AMERICAS

**USA** +1 800 848 9800

**Brazil** +55 11 3952 5000

